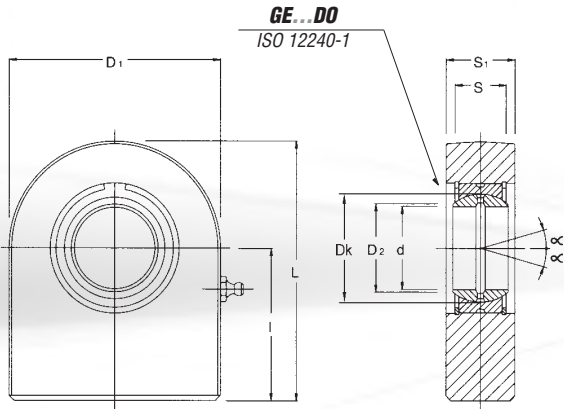


# S...N

## TERMINALI A SNODO BALL JOINT ENDS

- RILUBRIFICABILI
- ACCOPPIAMENTO: ACCIAIO SU ACCIAIO
- TERMINALE IN ACCIAIO STAMPATO ST. 52.3
- WITH GREASE NIPPLE
- COUPLING: STEEL/STEEL
- BALL JOINT MADE IN FORGED STEEL ST. 52.3



| SIGLA<br>CODE<br>*           | d   | S  | I   | D1  | D2    | Dk  | S1   | L     | TOLLERANZE<br>TOLERANCES |         | GIUOCO<br>SNODO<br>RADIALE<br>RADIAL JOINT<br>CLEARANCE<br>mm | FATTORI<br>DI CARICO<br>LOAD FACTOR<br>KN |                         | ANGOLO DI OSCILLAZIONE<br>ANGLE OF OSCILLATION<br>α | PESO<br>WEIGHT<br>kg. |
|------------------------------|-----|----|-----|-----|-------|-----|------|-------|--------------------------|---------|---|---|-------------------------|---|-----------------------|
|                              |     |    |     |     |       |     |      |       | d<br>mm                  | S<br>mm |   | Statico CO<br>Static CO                   | Dinamico C<br>Dynamic C |   |                       |
| <b>S 15 N<sup>(1)</sup></b>  | 15  | 12 | 31  | 45  | 18,4  | 22  | 15   | 53,5  | 0±-0.008                 | 0±-0.12 | 0.022±0.082   | 53  | 17                      | 8°  | 0,220                 |
| <b>S 16 N<sup>(1)</sup></b>  | 16  | 14 | 35  | 48  | 20,7  | 25  | 17   | 59    | 0±-0.008                 | 0±-0.12 | 0.025±0.082   | 59  | 21,2                    | 10°   | 0,290                 |
| <b>S 17 N<sup>(1)</sup></b>  | 17  | 14 | 35  | 48  | 20,7  | 25  | 17,5 | 59    | 0±0.008                  | 0±-0.12 | 0.025±0.082   | 65  | 17                      | 10°   | 0,290                 |
| <b>S 20 N</b>                | 20  | 16 | 38  | 50  | 24,1  | 29  | 19   | 63    | 0±-0.010                 | 0±-0.12 | 0.030±0.082   | 67  | 30                      | 9°  | 0,325                 |
| <b>S 25 N</b>                | 25  | 20 | 45  | 55  | 29,3  | 35  | 23   | 72,5  | 0±-0.010                 | 0±-0.12 | 0.037±0.100   | 69,5                                      | 48                      | 7°  | 0,500                 |
| <b>S 30 N</b>                | 30  | 22 | 51  | 65  | 34,2  | 40  | 28   | 83,5  | 0±-0.010                 | 0±-0.12 | 0.037±0.100   | 118                                       | 62                      | 6°  | 0,825                 |
| <b>S 35 N</b>                | 35  | 25 | 61  | 83  | 39,7  | 47  | 30   | 102,5 | 0±-0.012                 | 0±-0.12 | 0.037±0.100   | 196                                       | 80                      | 6°  | 1,475                 |
| <b>S 40 N</b>                | 40  | 28 | 69  | 101 | 45    | 53  | 35   | 119   | 0±-0.012                 | 0±-0.12 | 0.043±0.120   | 300                                       | 100                     | 7°  | 2,480                 |
| <b>S 45 N</b>                | 45  | 32 | 77  | 111 | 50,7  | 60  | 40   | 132   | 0±-0.012                 | 0±-0.12 | 0.043±0.120   | 380                                       | 127                     | 7°  | 3,450                 |
| <b>S 50 N</b>                | 50  | 35 | 88  | 123 | 56    | 66  | 40   | 149,5 | 0±-0.012                 | 0±-0.12 | 0.043±0.120   | 440                                       | 156                     | 6°  | 4,450                 |
| <b>S 60 N</b>                | 60  | 44 | 100 | 140 | 66,8  | 80  | 50   | 170   | 0±-0.015                 | 0±-0.15 | 0.043±0.120   | 570                                       | 245                     | 6°  | 7,130                 |
| <b>S 70 N</b>                | 70  | 49 | 115 | 164 | 77,8  | 92  | 55   | 197   | 0±-0.015                 | 0±-0.15 | 0.055±0.142   | 695                                       | 315                     | 6°  | 10,700                |
| <b>S 80 N</b>                | 80  | 55 | 141 | 180 | 89,4  | 105 | 60   | 231   | 0±-0.015                 | 0±-0.15 | 0.055±0.142   | 780                                       | 400                     | 6°  | 15,100                |
| <b>S 90 N<sup>(2)</sup></b>  | 90  | 60 | 150 | 226 | 98,1  | 115 | 65   | 263   | 0±-0.020                 | 0±-0.20 | 0.055±0.142   | 1340                                      | 490                     | 5°  | 23,400                |
| <b>S 100 N<sup>(2)</sup></b> | 100 | 70 | 170 | 250 | 109,5 | 130 | 70   | 295   | 0±-0.020                 | 0±-0.20 | 0.065±0.165   | 1500                                      | 610                     | 7°  | 33,100                |
| <b>S 110 N<sup>(2)</sup></b> | 110 | 70 | 185 | 295 | 121,2 | 140 | 80   | 332,5 | 0±-0.020                 | 0±-0.20 | 0.065±0.165   | 2160                                      | 655                     | 6°  | 48,500                |
| <b>S 120 N<sup>(2)</sup></b> | 120 | 85 | 210 | 360 | 135,5 | 160 | 90   | 390   | 0±-0.020                 | 0±-0.20 | 0.065±0.165   | 3250                                      | 950                     | 6°  | 79,500                |

(1) FORO DI LUBRIFICAZIONE - NO INGRASSATORE

(2) PANTOGRAFATI, POSSONO ESSERE COSTRUITI PANTOGRAFATI SU DISEGNO DEL CLIENTE

(\*) DISPONIBILI SU RICHIESTA CON SNODO SFERICO CON TENUTA 2RS (PREZZO DA CONCORDARE)

(1) LUBRICATION HOLE - NO GREASE NIPPLE

(2) BUILT WITH A PANTOGRAPH, THEY CAN BE BUILT WITH A PANTOGRAPH BASED ON CUSTOMER'S DRAWING

(\*) AVAILABLE ON DEMAND WITH SPHERICAL PLAIN BEARINGS WITH 2RS SEALS (PRICE TO BE AGREED)